

Operating Instructions LED Streetlights

(Please, read carefully before starting operation)

Version: 17.01.2017

Model 405 Conical Luminaire

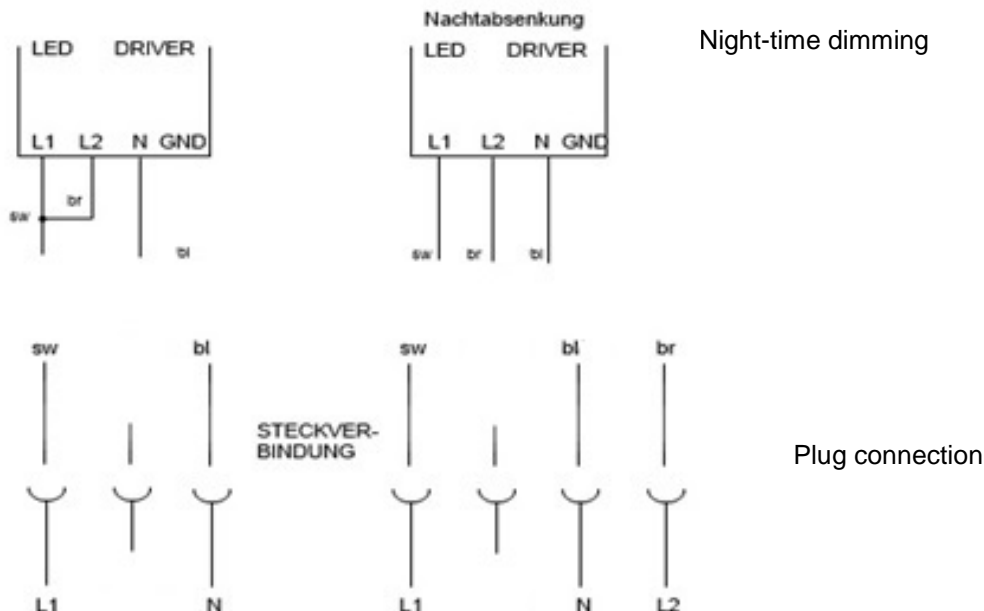
Technical Specifications:

Rated voltage	230 Volt AC / 50 Hz
Rated amperage	Max 0.8 A
Power supply	Interference suppressed acc. to DIN EN 61000-6-3/-4, EN 55011, EN 55022 Cl. B, power factor corrected
Power factor BöSha LED driver	Cos ϕ = 0.96 at nominal load
Type of protection	Class II acc. to VDE 0140 (DIN EN 61140)
Safety extra-low voltage (SELV)	Acc. to EN 61347-2-13
Degree of enclosure protection	IP 54
System performance	22 / 30 / 42 Watt
Manufactured according to	VDE 0710/0711
Wired ready for operation acc. to	EN 60598
Ambient temperature	From - 40 °C to + 40 °C for > 100,000 hrs
Recommended mounting height	3.0 – 5.0 m
Maximum mounting height	5.0 m
Torque for pole mounting	30 Nm
Dimensions	Ø 630 x 550 mm
Weight	8.2 kg
Wind-exposed area	0.20 m ²
Standard connector	Wieland plug series ST 18

Installation and connection:

Normally, the luminaires are mounted on a pole; for this purpose, depending on the type of luminaire, 1 - 3 hexagon socket head cap screws have to be fastened.

Due to the pre-assembled cable opening of the luminaire is **not** necessary.



The connecting cable has to be connected according to the circuit diagram.

In the presence of night-time dimming the brown cable has to be connected to L2.

Starting operation:

Installation has to be carried out by suitably qualified staff only. For damages resulting from improper handling we do not assume any liability.

- Open pole terminal compartment
- Determine voltage free status and secure against re-energizing
- Mount the LED luminaire on the pole; for this purpose insert the connecting cable of the luminaire completely into the pole.
- If necessary, align the luminaire on the pole and fasten the luminaire by means of the fixing screws.
- Connect the supply cable and perform function test.

Technical notice:

For supply connection a mains terminal has to be used.

The terminal compartment has to have at least the same degree of enclosure protection as the luminaire.

The cable gland between luminaire compartment and terminal compartment is tightened firmly and, in addition, sealed with a sealing compound.

Number of clamping points: 3 (4 in models with night-time dimming)

Transport and storage:

Store the luminaires in a dry, dust-free environment. In the event of improper storage any warranty claims will not be accepted.

The LED light sources must not be exchanged by the user – only by the manufacturer. If exchange of the LED modules should become necessary the luminaire has to be returned to the manufacturer (BöSha).

LED Conical Luminaire Model 405

This glare-free and efficient conical luminaire, with its decorative old town appearance, is suited for the stylish illumination of historical streets and districts and fashions squares and parks. The classical design and the pleasant, glare-free light provides for a high level of acceptance in historical old town areas.

Inside this classical luminaire design, too, is hidden efficient LED technology and thus combines nostalgic style with high efficiency. By means of segmental assembly partial areas, where less light is wanted (e. g. near house walls), can be shaded.

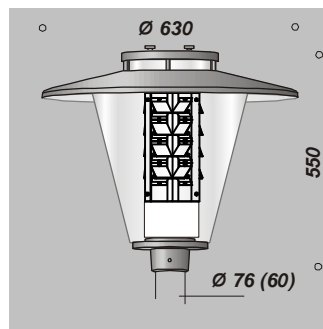
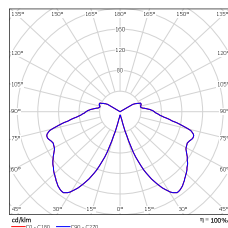
Pay attention to the quality and efficacy of the product. Having an optimized luminous intensity distribution, the quantity of luminaires can be reduced due to larger luminaire spacing.

The luminaires are equipped with highly efficient LED modules – supplying **nominally 120 lm/W** at 5,000 K.

Typical Application Areas:

(Lighting Classes)

ME2	<input type="checkbox"/>	S2	<input type="checkbox"/>
ME3	<input type="checkbox"/>	S3	<input type="checkbox"/>
ME4	<input type="checkbox"/>	S4	<input checked="" type="checkbox"/>
ME5	<input type="checkbox"/>	S5	<input checked="" type="checkbox"/>
ME6	<input type="checkbox"/>	S6	<input checked="" type="checkbox"/>



- Enclosure: cast aluminium / roof: sheet aluminium, powder coated DB 703 (graphite grey), other RAL colours on request
- Acrylic cone (PMMA)
- Recommended pole height: 3.0 – 5.0 m
- Multichip-On-Board-LED
- Light distribution: rotationally symmetric / asymmetrical
- Optionally, to be equipped segmentally (asymmetrical)
- Colour temperatures: warm white (3,000 K), neutral white (4,000 K), daylight white (5,000 K)
- Degree of protection IP 54
- LED module and electronic ballast separately removable and plug-connected
- Night-time dimming (power reduction down to 50 % via 2nd phase)
- Optionally, the luminaires can be equipped with a telemanagement system

Model description and performance variants					
Model	Description	Performance	Weight Luminaire head	Wind load	Effective lumen output (at 5,000 K)
405	Conical Luminaire	22W, 30W, 42W	8.2 kg	0.20 m ²	1,901 / 2,592 / 3,629

Subject to technical modifications