

LED Conical Luminaire Model 405

This glare-free and efficient conical luminaire, with its decorative old town appearance, is suited for the stylish illumination of historical streets and districts and fashions squares and parks. The classical design and the pleasant, glare-free light provides for a high level of acceptance in historical old town areas.

Inside this classical luminaire design, too, is hidden efficient LED technology and thus combines nostalgic style with high efficiency. By means of segmental assembly partial areas, where less light is wanted (e. g. near house walls), can be shaded.

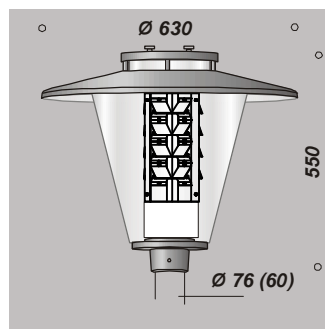
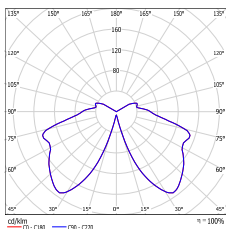
Pay attention to the quality and efficacy of the product. Having an optimized luminous intensity distribution, the quantity of luminaires can be reduced due to larger luminaire spacing.

The luminaires are equipped with highly efficient LED modules – supplying **nominally 120 lm/W** at 5000 K.

Typical Application Areas:

(Lighting Classes)

ME2	<input type="checkbox"/>	S2	<input type="checkbox"/>
ME3	<input type="checkbox"/>	S3	<input type="checkbox"/>
ME4	<input type="checkbox"/>	S4	<input checked="" type="checkbox"/>
ME5	<input type="checkbox"/>	S5	<input checked="" type="checkbox"/>
ME6	<input type="checkbox"/>	S6	<input checked="" type="checkbox"/>



- Enclosure: cast aluminium / roof: sheet aluminium, powder coated DB 703 (graphite grey), other RAL colours on request
- Acrylic cone (PMMA)
- Recommended pole height: 3.0 – 5.0 m
- Multichip-On-Board-LED
- Light distribution: rotationally symmetric / asymmetrical
- Optionally, to be equipped segmentally (asymmetrical)
- Colour temperatures: warm white (3000 K), neutral white (4000 K), daylight white (5000 K)
- Degree of protection IP 54
- LED module and electronic ballast separately removable and plug-connected
- Night-time dimming (power reduction down to 50 % via 2nd phase)
- Optionally, the luminaires can be equipped with a telemanagement system

Model description and performance variants					
Model	Description	Performance	Weight Luminaire head	Wind load	Effective lumen output (at 5000 K)
405	Conical Luminaire	22W, 30W, 42W	8.2 kg	0.20 m ²	1901 / 2592 / 3629

Subject to technical modifications