

Operating Instructions LED Mast Double Luminaire Callisto SC, incl. Inclination Adjustment, Single-Chip Technology

(Please, read carefully before starting operation) Version: 16.01.2017

Model 369-M

Technical Specifications:

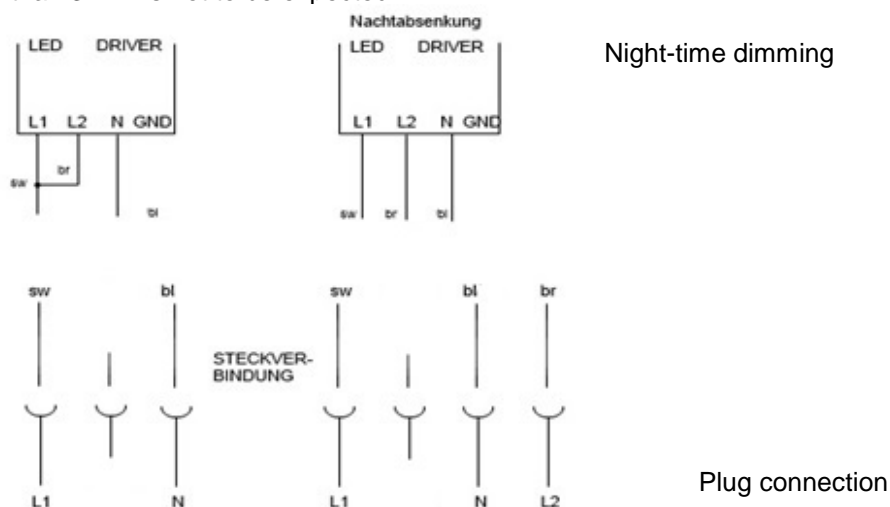
Rated voltage	230 Volt AC 50 Hz
Rated amperage	Max. 0.7 A
Power supply	Interference suppressed acc. to DIN EN 61000-6-3/-4, EN 55011, EN 55022 Cl. B, power factor corrected
Power factor BöSha LED driver	Cos φ = 0.96 at nominal load
Type of protection	Class II acc. to VDE 0140 (DIN EN 61140)
Safety extra-low voltage (SELV)	Acc. to EN 61347-2-13
Degree of enclosure protection	IP 65
System performance	From 36 to 160 Watt
Manufactured according to	VDE 0710/0711
Wired ready for operation acc. to	EN 60598
Ambient temperature	From - 40 °C to + 40 °C for > 100,000 hrs
Recommended mounting height	6.0 – 14.0 m
Maximum mounting height	14.0 m
Torque for pole mounting	30 Nm
Dimensions	Min. 1,600 x 183 x 79 mm / Max. 2,100 x 183 x 79 mm
Weight	Min. 9.8 kg / max. 13.4 kg
Wind-exposed area	Min. 0.275 m ² / max. 0.366 m ²
Standard connection	Free conductor ends or screw terminals

Installation and connection:

Normally, the luminaires are mounted on a pole; for this purpose, depending on the type of luminaire, 1 - 3 hexagon socket head cap screws have to be fastened.

Due to the pre-assembled cable opening of the luminaire is **not** necessary.

The luminaire has to be positioned in such a way that extensive looking at the luminaire's lighting side from a distance less than 3.1 m is not to be expected.



The connecting cable has to be connected according to the circuit diagram.

In the presence of night-time dimming the brown cable has to be connected to L2.



Starting operation:

Installation has to be carried out by suitably qualified staff only. For damages resulting from improper handling we do not assume any liability.

- Open pole terminal compartment
- Determine voltage free status and secure against re-energizing
- Mount the LED luminaire on the pole; for this purpose insert the connecting cable of the luminaire completely into the pole
- If necessary, align the luminaire on the pole and fasten the luminaire by means of the fixing screws
- Connect the supply cable and perform function test

Technical notice:

For supply connection a mains terminal has to be used.

Number of clamping points: 2 (3 in models with night-time dimming)

Transport and storage:

Store the luminaires in a dry, dust-free environment. In the event of improper storage any warranty claims will not be accepted.

The LED light sources must not be exchanged by the user – only by the manufacturer. If exchange of the LED modules should become necessary the luminaire has to be returned to the manufacturer (BöSha).

Installation of the variable pole flange for side-mounting

1. The connecting cable has to be led through the pole flange.
2. On both sides, put the locknuts (see photo) in the spaces provided.
3. After opening the terminal compartment at the top side of the luminaire the 2 adjusting screws, by means of which the variable pole flange for side- and top-mounting is fixed, are inserted and fastened with 15 Nm.
4. **ATTENTION!** FOR SIDE-MOUNTING the pole attachment screws have to be at the bottom side.

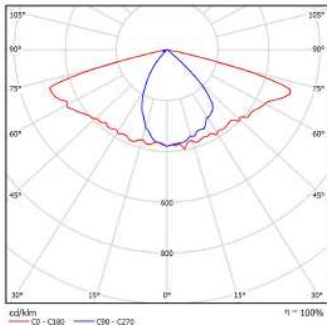


An inclination adjustment of $-15^{\circ}/+15^{\circ}$ is possible.

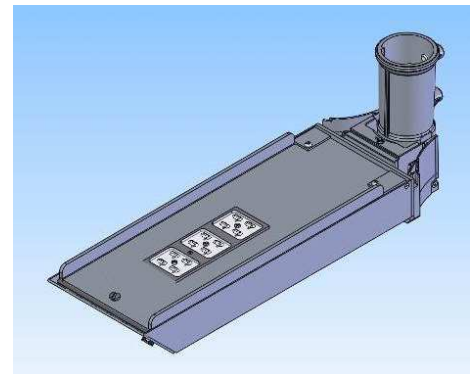
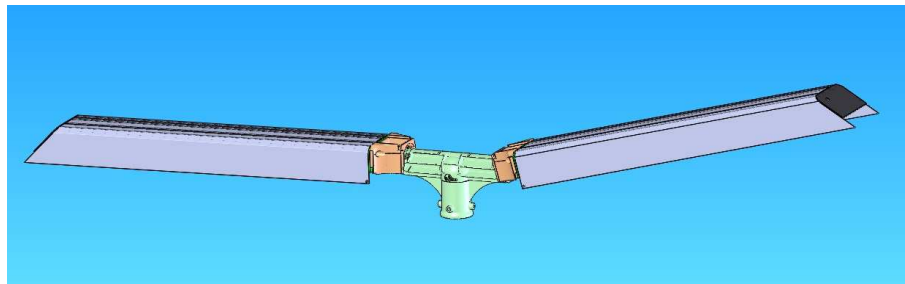


LED Mast Double Luminaire Callisto SC Model 369-M with Single-Chip Technology, Including Inclination Adjustment

The lighting system of the mast double luminaire with its angle adjustment feature offers a lot of flexibility. The mast double mounting fixture is available separately and can be equipped with luminaires of the model line 339-M or 340-M with different wattages. Moreover, the inclination of the luminaires may be adapted to the actual lighting situation.



Light distribution curve
Asymmetrical



- Enclosure: aluminium profile, powder coated DB 703 (graphite grey), other RAL colours on request
- Angle adjustment 0° to +25°
- Recommended mounting height: 6.0 – 14.0 m
- Single-chip LED
- Colour temperatures: neutral white (4,000 K), daylight white (5,000 K)
- Light distribution: asymmetrical
- Degree of protection IP 65
- For one double luminaire 1 mast double mounting fixture and 2 LED luminaires are required
- Night-time dimming (power reduction down to 50 % via 2nd phase)
- The mast double mounting fixture may be equipped with luminaires of different wattages

Model description and performance variants				
Model	Description	Light distribution	Performance	Eff. Lumen output (at 5,000 K)
369-M	Callisto SC, mast double luminaire, single-chip	Asymmetrical	36 to 160 Watt	4,376 to 19,440

Item no. mast double mounting fixture				
702061	mast double mounting fixture		Length: approx. 300 mm	With inclination adjustment

Subject to technical modifications

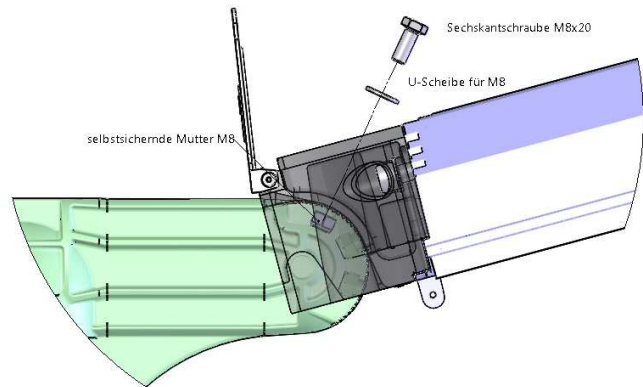
Detailed Description

The mast double luminaire described above offers with its wide variety maximum flexibility. The mast double mounting fixture can be equipped with luminaires on both sides (picture 3).

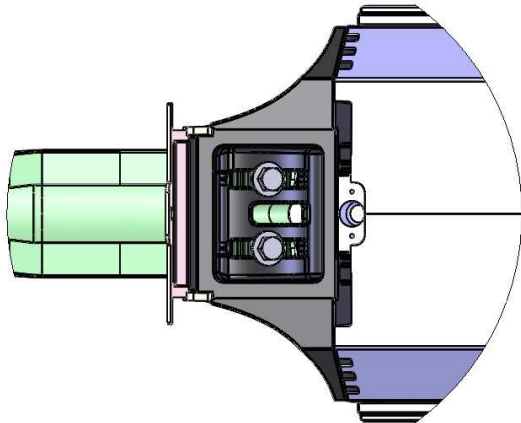
For this purpose, insert the self-locking nuts M 8 into the required recess (picture 3).

Bring the luminaire to a halt at the required inclination angle and fasten with washers and hexagon head screws M 8 x 20.

The screws M 8 x 20 have to be tightened with a torque of 30 Nm (picture 4).



Picture 3



Picture 4 (top view)

Due to the flexible mounting options all available wattages may be combined with each other. The luminaires and the mounting fixtures can be purchased separately.

For each double luminaire 1 mast double mounting fixture and 2 LED luminaires are needed. The mast double mounting fixture may be equipped with different wattages, as required.