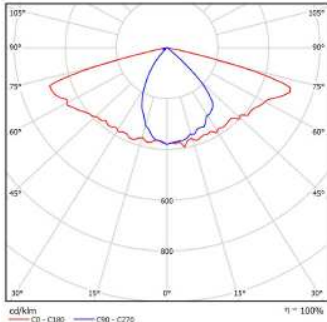
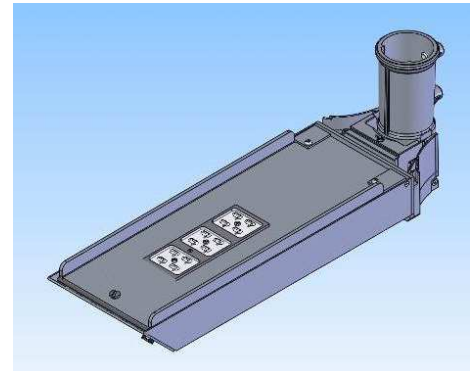
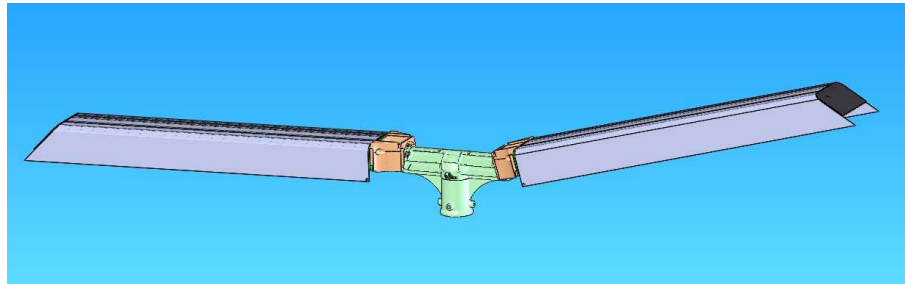


LED Mast Double Luminaire Callisto SC Model 369-M with Single-Chip Technology, Including Inclination Adjustment

The lighting system of the mast double luminaire with its angle adjustment feature offers a lot of flexibility. The mast double mounting fixture is available separately and can be equipped with luminaires of the model line 339-M or 340-M with different wattages. Moreover, the inclination of the luminaires may be adapted to the actual lighting situation.



Light distribution curve
Asymmetrical



- Enclosure: aluminium profile, powder coated DB 703 (graphite grey), other RAL colours on request
- Angle adjustment 0° to +25°
- Recommended mounting height: 6.0 – 14.0 m
- Single-chip LED
- Colour temperatures: neutral white (4,000 K), daylight white (5,000 K)
- Light distribution: asymmetrical
- Degree of protection IP 65
- For one double luminaire 1 mast double mounting fixture and 2 LED luminaires are required
- Night-time dimming (power reduction down to 50 % via 2nd phase)
- The mast double mounting fixture may be equipped with luminaires of different wattages

Model description and performance variants				
Model	Description	Light distribution	Performance	Eff. Lumen output (at 5,000 K)
369-M	Callisto SC, mast double luminaire, single-chip	Asymmetrical	36 to 160 Watt	4,376 to 19,440

Item no. mast double mounting fixture				
702061	mast double mounting fixture		Length: approx. 300 mm	With inclination adjustment

Subject to technical modifications
Part 2 Page 25

23.09.2016