

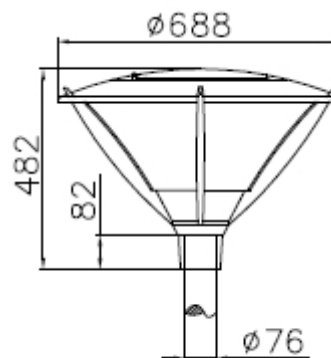
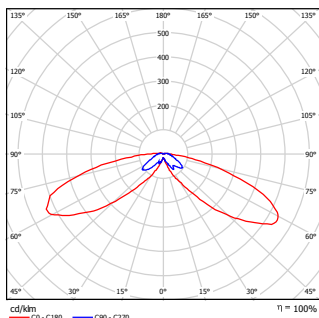
LED Mushroom Luminaire

This decorative luminaire with its innovative design elegantly fits into park landscapes and residential streets, but can also be easily integrated into any other environment.

Equipped with proven single-chip-LED with **nominal 90 lm/W** at 4000 K these luminaires provide pleasant light in many fields of application.

Typical Application Areas: (Lighting Classes)

ME2	<input type="checkbox"/>	S2	<input type="checkbox"/>
ME3	<input type="checkbox"/>	S3	<input type="checkbox"/>
ME4	<input type="checkbox"/>	S4	<input checked="" type="checkbox"/>
ME5	<input type="checkbox"/>	S5	<input checked="" type="checkbox"/>
ME6	<input type="checkbox"/>	S6	<input checked="" type="checkbox"/>



- Enclosure: cast aluminium powder coated black (RAL 9017)
- Polycarbonate panes
- Recommended pole height: 3.5 m – 6.0 m
- Single-chip-LED
- Light distribution: symmetrical
- Colour temperature: 4000 K
- Life time LED: 50,000 h – L70, B10
- Degree of protection IP 65

Model description and performance variants					
Model	Description	Performance	Weight Luminaire head	Wind load	Effective lumen output (at 4000 K)
1000311	Mushroom Luminaire	30W	6.0 kg	0.17 m ²	1674

Subject to technical modifications