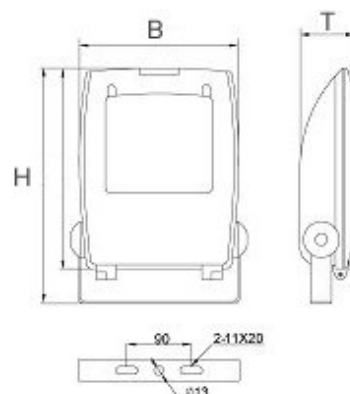
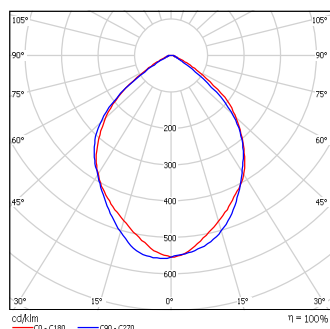


LED Floodlight Round

LED floodlights are applied wherever areas have to be lit up generously as, for example, car parks, building facades, company or advertising signs or other outdoor spaces of commercial buildings.

Additional fields of application are the illumination of trees, sculptures and walkways, engineering and construction sector, etc.

The LED Floodlight Round captivates with compact dimensions and a sturdy housing. It is equipped with the proven MCOB LED technology (**nominal 85 lm/W** at 4000 K) and an integrated power supply with a wide input voltage range.



- Enclosure: cast aluminium, powder coated (plain white RAL 9010)
- Pane: break-proof clear glass / frosted glass
- Multichip-On-Board-LED
- Light distribution: symmetrical
- Degree of protection IP 65
- Colour temperature: 4000 K (neutral white)

Model description and performance variants			Dimensions			Weight	Effective lumen output (at 4000 K)
Model	Description	Performance	B mm	H mm	T mm		
1000031	Floodlight round	10 W	165	200	48	0.93 kg	701 lm
1000032	Floodlight round	30 W	222	330	75	2.50 kg	2103 lm
1000033	Floodlight round	50 W	320	400	102	4.30 kg	3506 lm

Subject to technical modifications

Page 4 - 5

30.09.2014