

## Operating Instructions LED Streetlights

(Please, read carefully before starting operation)

Version: 20.05.2016

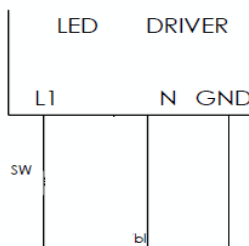
### Models 1000031 - 1000033 Floodlight Round

#### Technical Specifications:

Rated voltage	195 - 265 V / 50 Hz
Rated amperage	Max. 0.6 A
Type of protection	Class I or II acc. to VDE 0140 (DIN EN 61140)
Degree of enclosure protection	IP 65
System performance	From 10 / 30 / 50 Watt
Ambient temperature	From - 40 °C to + 40 °C for > 50,000 hrs
Recommended mounting height	Variable
Dimensions	See table below
Weight	See table below

#### Installation and connection:

Due to the pre-assembled cable opening of the luminaire is **not** necessary.



The connecting cable has to be connected according to the circuit diagram.

#### Starting operation:

Installation has to be carried out by suitably qualified staff only. For damages resulting from improper handling we do not assume any liability.

- Determine voltage free status and secure against re-energizing
- If necessary, align the luminaire on the pole and fasten the luminaire by means of the fixing screws.
- Connect the supply cable and perform function test.

#### Technical notice:

For supply connection a mains terminal according to EN 60598 has to be used.

The terminal compartment has to have at least the same degree of enclosure protection as the luminaire.

Number of clamping points: 3

#### Transport and storage:

Store the luminaires in a dry, dust-free environment. In the event of improper storage any warranty claims will not be accepted.

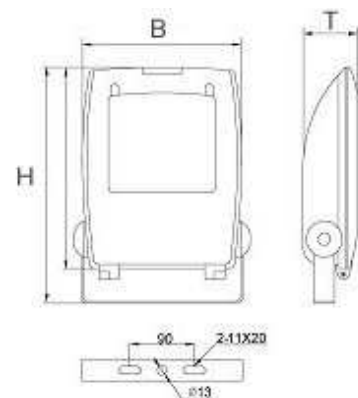
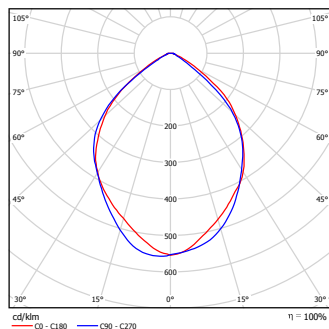
The LED light sources must not be exchanged by the user – only by the manufacturer. If exchange of the LED modules should become necessary the luminaire has to be returned to the manufacturer (BöSha).

## LED Floodlight Round

LED floodlights are applied wherever areas have to be lit up generously as, for example, car parks, building facades, company or advertising signs or other outdoor spaces of commercial buildings.

Additional fields of application are the illumination of trees, sculptures and walkways, engineering and construction sector, etc.

The LED Floodlight Round captivates with compact dimensions and a sturdy housing. It is equipped with the proven MCOB LED technology (nominal 85 lm/W at 4,000 K) and an integrated power supply with a wide input voltage range.



- Enclosure: cast aluminium, powder coated (plain white RAL 9010)
- Pane: break-proof clear glass / frosted glass
- Multichip-On-Board-LED
- Light distribution: symmetrical
- Degree of protection IP 65
- Colour temperature: 4,000 K (neutral white)

Model description and performance variants			Dimensions			Weight	Effective lumen output (at 4,000 K)
Model	Description	Performance	B mm	H mm	T mm		
1000031	Floodlight round	10 W	165	200	48	0.93 kg	701 lm
1000032	Floodlight round	30 W	222	330	75	2.50 kg	2,103 lm
1000033	Floodlight round	50 W	320	400	102	4.30 kg	3,506 lm

Subject to technical modifications