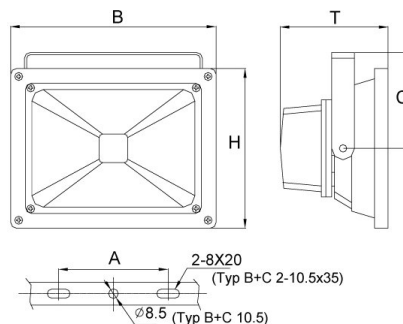
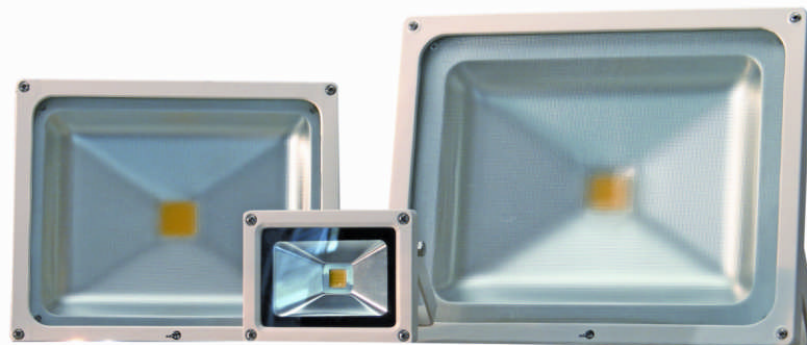
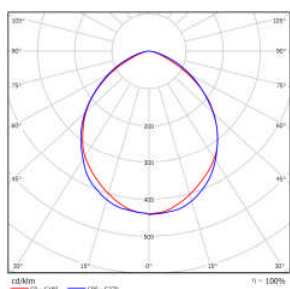


## LED Floodlight Angular

LED floodlights are applied wherever areas have to be lit up generously as, for example, car parks, building facades, company or advertising signs or other outdoor spaces of commercial buildings.

Additional fields of application are the illumination of trees, sculptures and walkways, engineering and construction sector, etc.

The LED Floodlight Angular captivates with compact dimensions and a sturdy housing. It is equipped with the proven MCOB LED technology (**nominal 85 lm/W** at 4000 K) and an integrated power supply with a wide input voltage range.



- Enclosure: cast aluminium, powder coated (plain white RAL 9010)
- Pane: break-proof clear glass / frosted glass
- Multichip-On-Board-LED
- Light distribution: symmetrical
- Degree of protection IP 65
- Colour temperature: 4000 K (neutral white)

Model description and performance variants			Dimensions			Weight	Effective lumen output (at 4000 K)
Model	Description	Performance	B mm	H mm	T mm		
1000021	Floodlight angular	10 W	114	86	79	0.51 kg	637 lm
1000022	Floodlight angular	20 W	180	140	95	1.13 kg	1274 lm
1000023	Floodlight angular	30 W	223	195	118	1.80 kg	1911 lm
1000024	Floodlight angular	50 W	284	230	140	2.80 kg	3187 lm

Subject to technical modifications

Page 4 - 4

30.09.2014