



# Operating Instructions DB Double Tunnel and Safety Luminaire

Tunnel and safety lighting for escape routes

(Please, read carefully before starting operation)

Model 935

Version: 30.05.2016

## Technical Specifications:

Rated voltage	24 Volt DC
Rated amperage	Max. 1.0 A
Power supply	DC / DC converter
Type of protection	Class II acc. to VDE 0140 (DIN EN 61140)
Safety extra-low voltage (SELV)	Acc. to EN 61347-2-13
Degree of enclosure protection	IP 66
System performance	24 Watt
Manufactured according to	VDE 0710/0711
Wired ready for operation acc. to	EN 60598
Ambient temperature	From - 40 °C to + 40 °C for > 100,000 hrs
Recommended mounting height	2.0 – 3.0 m
Maximum mounting height	3.0 m
Torque for pole mounting	4 Nm
Dimensions	220 x 240 x 550 mm
Weight	11 kg
Equipment	With proven MCOB technology
Standards	DIN EN 1838, DIN EN 60598-2-22
Type of luminaire	Z-1-E

## Installation and connection / Starting operation:

Installation has to be carried out by suitably qualified staff only. For damages resulting from improper handling we do not assume any liability.

Due to the pre-assembled cable opening of the luminaire is **not** necessary.

Installation: With at least 4 heavy-duty dowels and screws min. M 10 x 50 (not part of delivery).  
Torque: 60 Nm

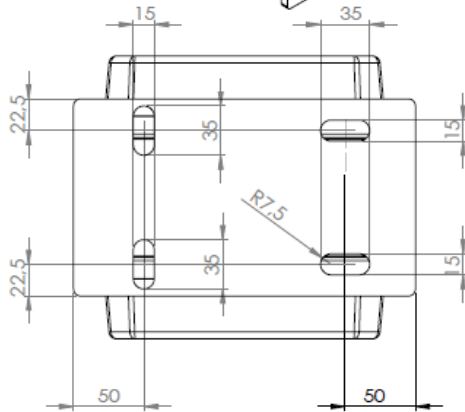
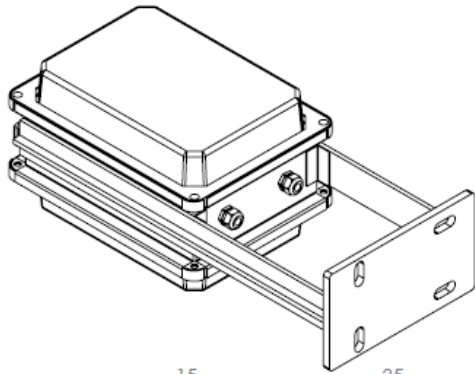
Insert the connecting cable, having a diameter of 7 – 13 mm, into the cable entry and connect according to the marking. The + conductor has to be connected to the fuse terminal.

Perform function test.

By means of the installed galvanic isolation and applying two circuits the two single luminaires can be operated independently of each other. **In case one circuit fails both sides keep on lighting with a 50 % performance.**

**Transport and storage:**

Store the luminaires in a dry, dust-free environment. In the event of improper storage any warranty claims will not be accepted.



The LED light sources must not be exchanged by the user – only by the manufacturer. If exchange of the LED modules should become necessary the luminaire has to be returned to the manufacturer (BöSha).