



## Projector BS 67\*\*\*\*

### Type of Explosion Protection:

 II 2G EEx eq(d) IIC T4/T3  
 II 2D T 80°/90°C IP 66

Degree of Enclosure Protection: IP 66

EC-Type Examination Certificate:

IBExU 05 ATEX 1111



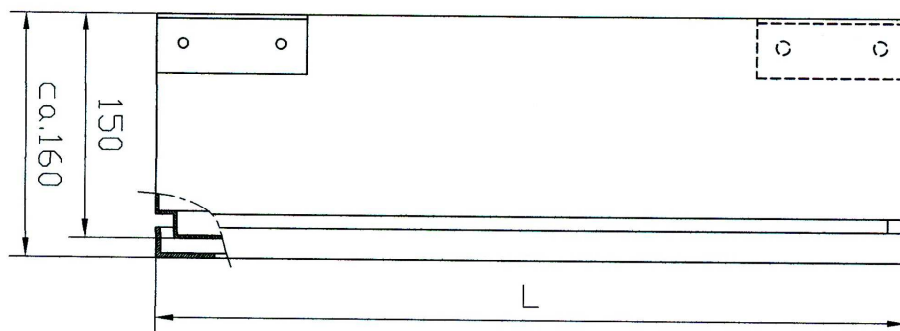
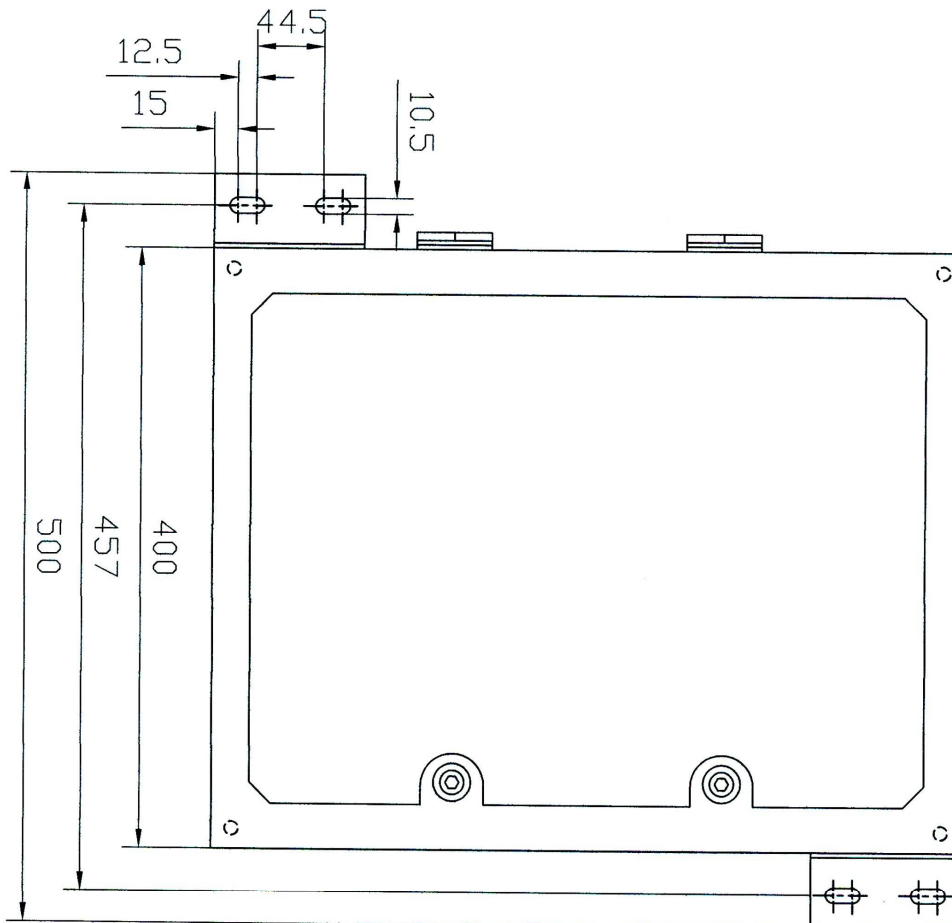
### Description

- Sturdy sheet steel or high-grade sheet steel with a minimum of 1.25 mm wall thickness (can be enlarged to 5 mm maximum)
- Use of 4-pin compact fluorescent lamps standard in trade (socket 2G11)
- Polycarbonate pane 5 to 10 mm thick or break and impact proof safety glass
- For each lamp single independent electrical ballast (End-of-Life, powder filled)
- Different wattages
- Any mounting position
- Single spare parts available
- Simple mounting by attached mounting straps (e. g. for mounting on punched steel plates or other equipment) or eye bolts for wall and roof mounting
- Lamp sockets are dead when lid is opened (optionally)
- Smooth surface, easy to tend
- Up to four cable entries possible
- Projector switch as forced break switch (optionally)

### Characteristics

Type*	Nominal Voltage	Frequency	Wattage	Dimensions l x w x h	Art. No./ Order-No.
BS 672	230 V	0 – 50/60Hz	4 x 36 W	500 x 400 x 160	672XXX
BS 676			4 x 55 W	650 x 400 x 160	676XXX
BS 678			4 x 80 W	750 x 400 x 160	678XXX

\* more types on request

**Technical Drawing**


	36W	55W	80W
L	500	650	750