

## Projector BS 67\*\*\*\*

### Type of Explosion Protection:

 I M2 EEx eq(d) I

Degree of Enclosure Protection: IP 66

### EC-Type Examination Certificate:

IBExU 05 ATEX 1111



### Use

The projectors of type BS 67.... can be used for illumination of large working places (e. g. tunnelling, roadway crossings, shaft areas, bunker inlets, drives etc.). By their robust design they stand up to all typical mining requirements.

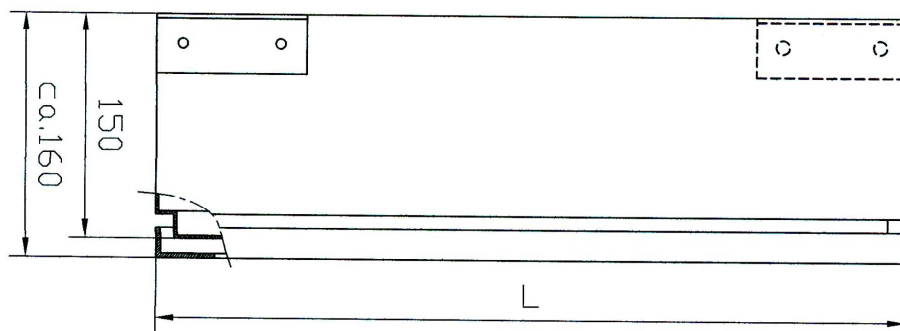
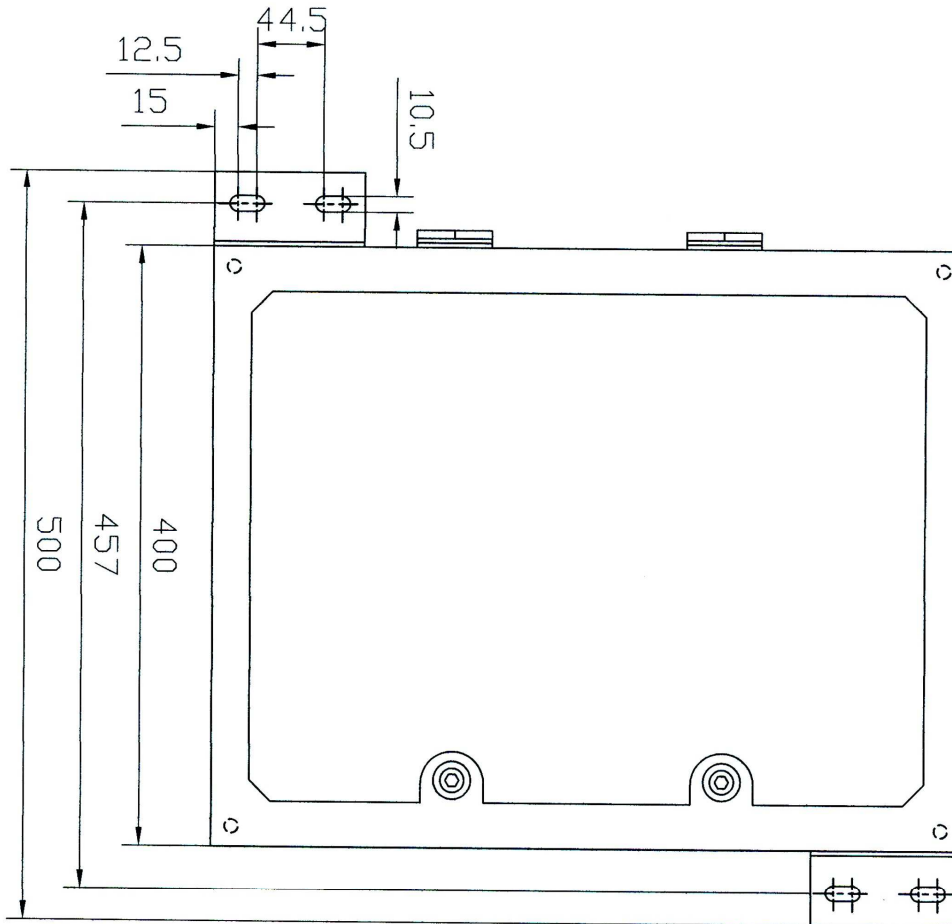
### Description

- Sturdy sheet steel or high-grade sheet steel with a minimum of 1.25 mm wall thickness (can be enlarged to 5 mm maximum)
- Use of 4-pin compact fluorescent lamps standard in trade (socket 2G11)
- Polycarbonate pane 5 to 10 mm thick or break and impact proof safety glass
- For each lamp single independent electronical ballast
- Different wattages
- Any mounting position
- Single spare parts available
- Simple mounting by attached mounting straps (e. g. for mounting on punched steel plates or other equipment) or eye bolts for wall and roof mounting
- Lamp sockets are dead when lid is opened

### Characteristics

Type*	Nominal Voltage	Frequency	Wattage	Current Consumption	Dimensions l x w x h
BS 672	230 V	0 – 50/60Hz	4 x 36 Watt	0.63 A	500 x 400 x 160
BS 676			4 x 55 Watt	0.96 A	650 x 400 x 160
BS 678			4 x 80 Watt	1.39 A	750 x 400 x 160

\* more types on request

**Technical Drawing**


	36W	55W	80W
L	500	650	750