


Coal Face Light Fittings BS 588***

Type of Explosion Protection:

 I M2 Ex edq I

Degree of Enclosure Protection: IP 66

EC-Type Examination

Certificate: IBExU 97 ATEX 1009
(2nd Variation)



Use

The light fittings can be used in mines in powered supports of thin panels and at power distributions as well as for special solutions.

The hole-to-hole spacing of the light fittings matches the standard punched steel plates of the powered supports of the DSK (*Deutsche Steinkohle AG*) so that fixing to the shield is easy to carry out – before underground installation takes place.

Special Characteristics

- Impact-proof cover of high-grade material, with prisms on the inside
- Possible to be mounted already when installing the coal face – by precise matching of punched steel plates and coal face light fitting
- Optionally, 3-lamp light fittings (3 x 18 Watt) are available
- Easy mounting of cable entries by letting down the standard punched steel plate, as this is only secured by a split pin
- Perfect illumination of elemental spots (dog hole, neighbouring shields, coal face and components fixed to the shield) by structured and protruding cover with well-balanced prism support
- No dazzling of the display of the shield control system
- Saving of expenses by compact fluorescent lamps (4-pin with socket 2 G 11) standard in trade and spare parts available separately
- Progressive electronical ballast with separate output stages
- Protection of leads by new geometry of light fitting and unproblematic insertion of leads into the power tower
- No risk of injury in thin seams as the light fitting because of its design does not jut out into the dog hole
- By low total weight of light fitting (5.5 kg) comfortable handling is even possible when the thickness is low
- Beside using the conventional connection technique with 3 threaded sleeves (M 36 x 1.5) the light fitting can be operated with the BöSha plug-in connector system BS 408***
- Optionally a test switch with line termination (BS 59 M) can be screwed into the version with 3 threaded sleeves

Technical Data BS 588***

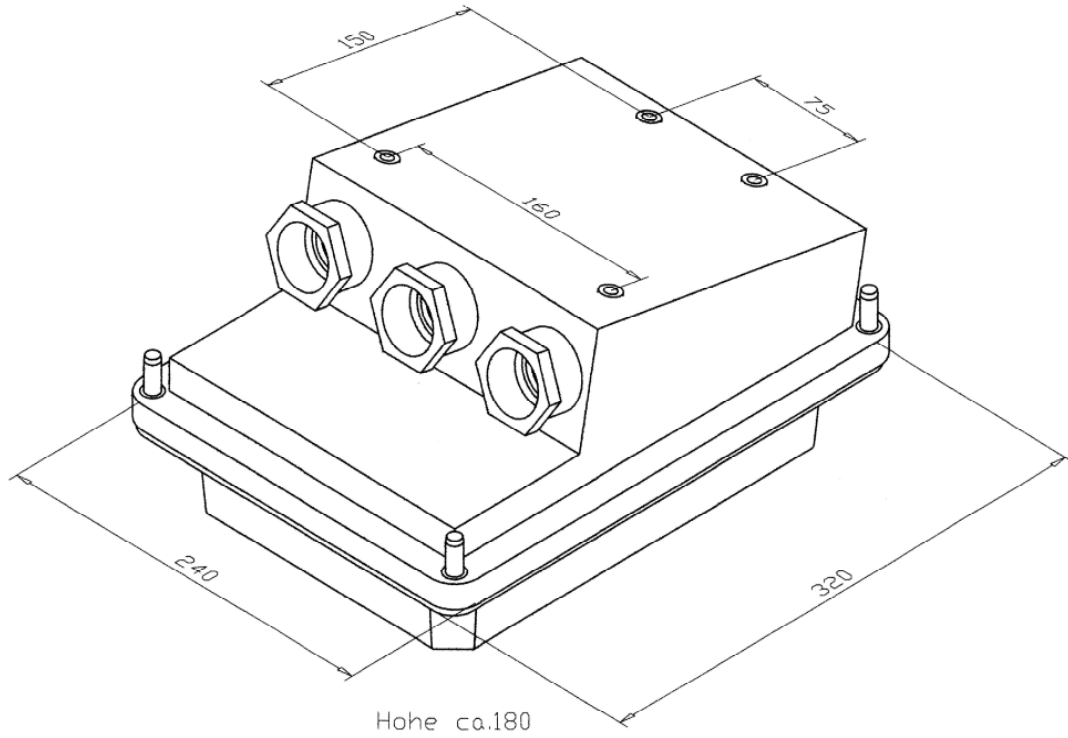
	BS 588100 (threaded sleeves)	BS 588400 (plug-in system)
Working Voltage	230 V (+15%/-15%)	230 V (+15%/-15%)
Nominal Amperage	160 mA	160 mA
Wattage	2 x 18 Watt	2 x 18 Watt
Type of Lamp	standard energy saving lamp	standard energy saving lamp
Lamp Holder (Patent)	2 G 11	2 G 11
Dimensions approx.	320 x 240 x 180 mm	320 x 240 x 180 mm
Weight approx.	5.5 kg (sheet steel enclosure)	5.3 kg (sheet steel enclosure)

Type „BS 588400“ with the BöSha plug-in connector system has additional advantages:

- The light fittings are supplied including lamps
- Big time advantage when connecting the light fittings
- Plugging in of the system feasible by non-electricians
- When a light fitting is defect through-connecting of lead is possible
- Mechanical plug-in connector – therefore, leads can be equipped with plug-in connectors by user electrician
- No additional test switch necessary because a separate line termination can be attached to each light fitting
- By forced guidance reversal of poles is impossible
- For starting operation no special tools required



BS 588100



BS 588400

